

WASTE REMOVAL GUIDELINES
Fraternities, Sororities and Interfaith Houses

Dumpsters

1. General household waste and yard waste must be bagged and secured

2. UNACCEPTABLE ITEMS

- | | |
|---------------------------|---|
| a. Corrugated cardboard* | i. Construction materials
(i.e. wood, brick, stone,
concrete) |
| b. Couches | |
| c. Chairs | |
| d. Tables | j. Dirt |
| e. Desks | k. Sand |
| f. Carpet | l. Hot coals |
| g. Tree branches / trunks | m. Mattresses |
| h. Car parts | n. Bed frames |

*Corrugated cardboard must be broken down and placed
beside dumpster

Recyclables

1. Must be taken to the east campus drop off site (at the end of 6th St.),
or to the GNA #1 recycling site (in the alley between FIJI and ZTA)

2. ACCEPTED ITEMS

- | | |
|------------------|-----------------------|
| a. Glass | d. Newspaper |
| b. Plastic | e. Mixed Office Paper |
| c. Aluminum Cans | f. Magazines |
-

Roll Offs

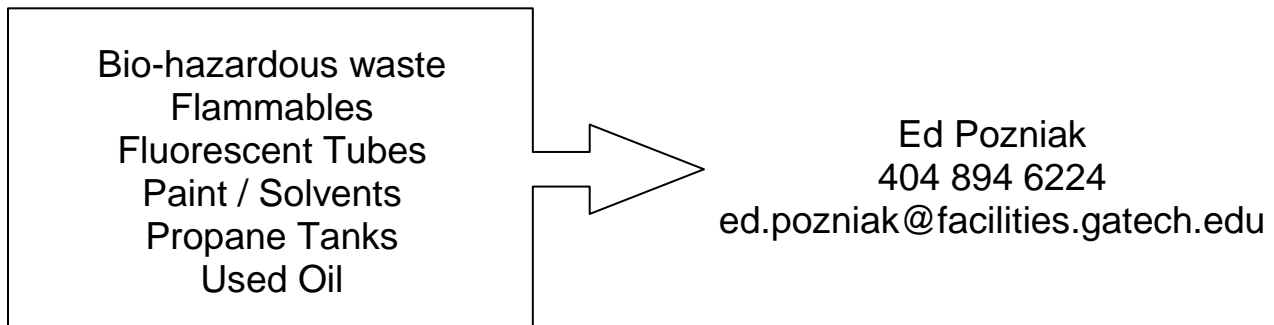
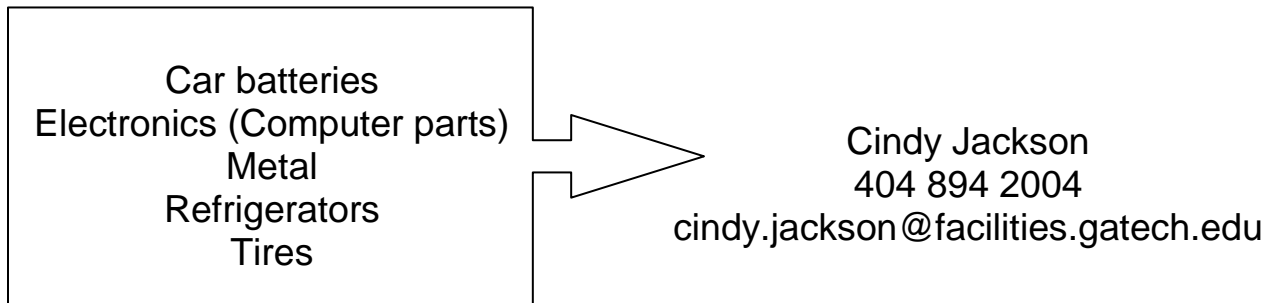
1. Bulky items are acceptable

2. ACCEPTED ITEMS

- | | |
|---------------|--|
| a. Furniture | e. Sand |
| b. Carpet | f. Construction Materials |
| c. Mattresses | g. Tree branches / Trunks
(Max length 4ft.) |
| d. Dirt | |

NEVER Deposit the following items into a roll-off or dumpster.

Please contact the appropriate party.



Contact Animal Control at 404-355-8387 for dead animal removal.